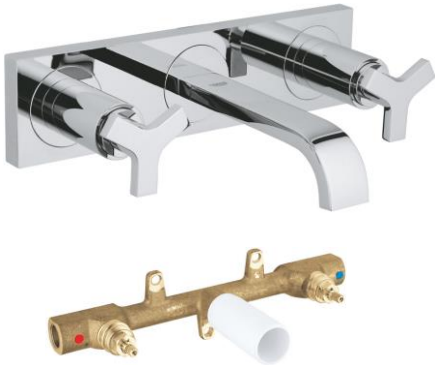


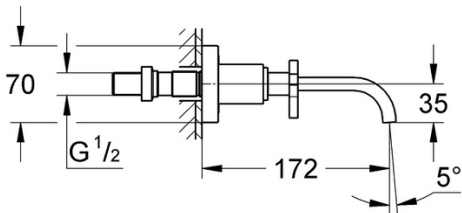
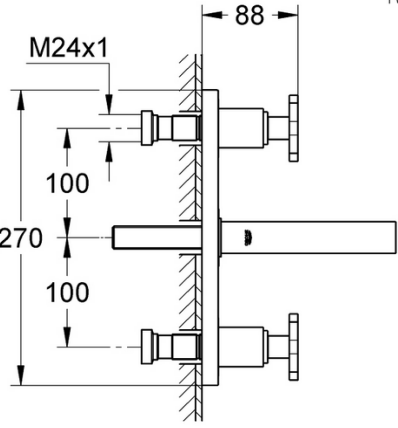
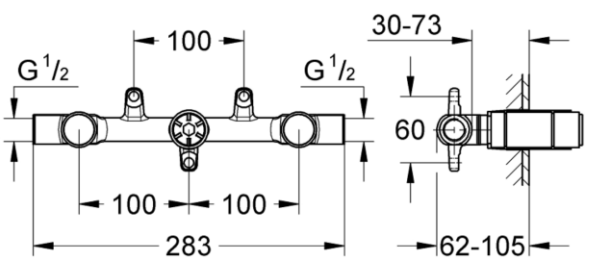






|          |  |      |  |     |           |  |
|----------|--|------|--|-----|-----------|--|
| PROJECT  |  | REF  |  | REV | ITEM CODE |  |
| LOCATION |  | DATE |  |     | PAGE      |  |

## SANITARY WARE SPECIFICATION SHEET

|  |   |  |
|--|---|--|
| Item Descriptions  | GROHE (Germany) "Allure" Chrome plated wall mounted S-size 3-hole basin mixer 1/2" with concealed body (projection 172 mm); nominated flow rate <b>4.6 L/min</b> in WELS Grade 1; Registration No. TM 21-0024 | Illustration/ Drawing  |
| Dimensions   | L172 x W270 x H70 mm  |       |
| Model  | 20190000 (Basin mixer)<br>32706000 (Concealed body)   |  |
| Finish   | Chrome Plated   |  |
| Country of origin  | Germany   |  |
| Manufacturer   | GROHE Limited   |  |
| Supplier   | Acme Sanitary Ware Co. Ltd<br>Mr. Eric Wong/ Mr. Don Yuen   |  |
| Contact Tel/Fax  | (852) 2388-7171 / (852) 2710-8012   |  |
| E-mail   | acme@acmesanitary.com.hk  |  |
| Website  | www.acmesanitary.com.hk   |  |
| <p><b>"Allure"</b><br/> <b>Three-hole basin mixer 1/2" S-Size</b></p> <ul style="list-style-type: none"> <li>• wall mounted</li> <li>• <b>without concealed body</b></li> <li>• set for final installation for 32 706 000</li> <li>• with metal plate</li> <li>• valves hot/cold with Carborund ceramic headparts 1/2" - 180</li> <li>• <b>GROHE StarLight</b> chrome finish</li> <li>• flow limiter 8 l/min.</li> <li>• spout with mousseur</li> <li>• centre distance 200 mm</li> <li>• projection 172 mm</li> </ul> |   | <p><b>Two-handle basin mixer concealed body, 1/2"</b></p> <ul style="list-style-type: none"> <li>• for 3-hole basin mixer</li> <li>• wall installation</li> <li>• <b>without finishing trim set</b></li> </ul>     |

Note:

\* All information of the above is for the reference only. No prior notice is made if any changes.



|          |  |      |  |     |           |  |
|----------|--|------|--|-----|-----------|--|
| PROJECT  |  | REF  |  | REV | ITEM CODE |  |
| LOCATION |  | DATE |  |     | PAGE      |  |

## SANITARY WARE SPECIFICATION SHEET

# GROHE ALLURE

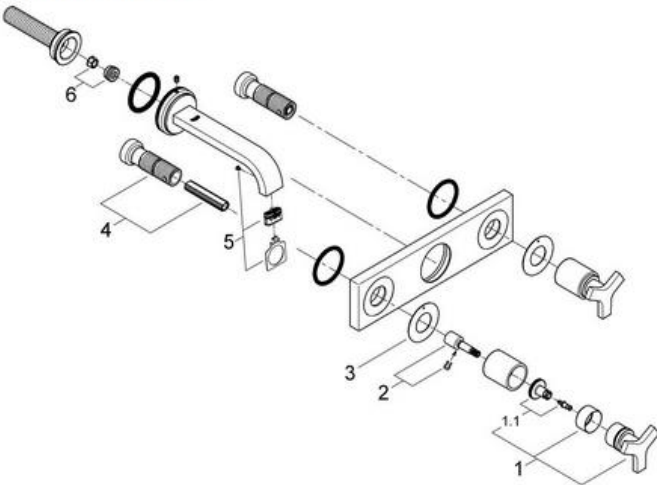
### BEAUTY MEETS FUNCTION

Perfectly balanced proportions on the outside and technically advanced on the inside – Allure unites inherent beauty with unmatched performance. Cylindrical bodies rise from square and rectangular base plates adding to its minimalist appeal, while the collection offers a choice of two handle styles – a flat lever or a tri-spoke design – to meet your exacting requirements.

Faucets and fittings in this collection illustrate our commitment to unrivalled quality in the bathroom.



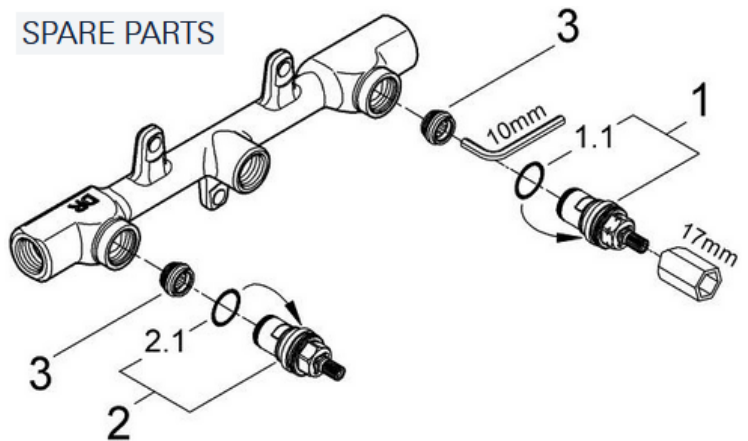
### SPARE PARTS



| Pos.-nr. | Prod. description             | Order-nr. |
|----------|-------------------------------|-----------|
| 1        | Handle                        | 46611000  |
| 1.1      | Replacement kit for fastening | 45605000  |
| 2        | Extension for spindle         | 45607000  |
| 3        | Sealing washer                | 48046000  |
| 4        | Extension-set, 80 mm          | 45202000  |
| 5        | Mousseur                      | 13220000  |
| 6        | Flow limiter                  | 46324000  |

\* Optional accessories

### SPARE PARTS



| Pos.-nr. | Prod. description      | Order-nr. |
|----------|------------------------|-----------|
| 1        | Ceramic headpart, 1/2" | 45883000  |
| 1.1      | O-ring Ø 18.2 x Ø 1.7  | 0392400M  |
| 2        | Ceramic headpart, 1/2" | 45882000  |
| 2.1      | O-ring Ø 18.2 x Ø 1.7  | 0392400M  |
| 3        | Seat                   | 45023000  |

\* Optional accessories

Note:

\* All information of the above is for the reference only. No prior notice is made if any changes.

註冊號碼 (Registration No.):

TM 21-0024



自願參與用水效益標籤計劃 - 水龍頭  
Voluntary Water Efficiency Labelling Scheme - Water Taps




茲證明  
This is to certify that

將下列水龍頭在本計劃內註冊：  
has registered the following water tap under this scheme :

|                                |   |                                   |
|--------------------------------|---|-----------------------------------|
| 牌子 / Brand                     | : | Grohe                             |
| 型號 / Model                     | : | 32706000 + 20190XXX + 402789040   |
| 種類 / Type                      | : | Mixing                            |
| 原產地 / Country or Region Origin | : | Germany (Mixer & Flow Controller) |

XXX – denotes the code of colour

|   |   |   |                                |
|---|---|---|--------------------------------|
| 在用水效益標籤上展示的標誌<br><i>Symbolic Presentation on the Water Efficiency Label</i> | : |  | 滴水點<br><i>Water droplet(s)</i> |
| 用水效益級別<br><i>Water Efficiency Grade</i>                                     | : | 1   |                                |
| 耗水量<br><i>Water Consumption</i>   | : | 4.6   | 公升/分鐘<br><i>litres/minute</i>  |

簽發日期：  
Date of Issue: 11 February 2021

 水務署  
Water Supplies Department



水務署署長(張業駒代行)  
for Director of Water Supplies





水務署  
Water Supplies Department

總部 Headquarters

告士打道七號入境事務大樓 48 樓

ation Tower, 7 Gloucester Road, Wan Chai, Hong Kong



本署  
Our ref.  
來函檔號  
Your ref.

3321/2020 T/J(412/2020)

電話  
Tel.  
傳真  
Fax. : 2824 0578


25 May 2020



**Approval of "GROHE" Basin Mixer  
(General Acceptance No. C20200363)**

Your letter ref. WRC/2190 dated 21 April 2020 refers.

Having considered the test report ref. J24743A issued on 4 November 2019 by Nutek Systems (HK) Ltd., this Authority accepts that the fitting described below complies with, and its use when correctly installed does not contravene, the Waterworks Ordinance and Regulations.

**Name of Manufacturer:** Grohe AG  
**Country of Origin:** Germany  
**Brand:** Grohe  
**Details of Fitting:** 1/2" 3-hole basin mixer with concealed body  
**Model:** 32706000 + 20190XXX  
(where the digits "XXX" denote the code of colour)  
**Body Markings:**   
**Expiry Date:** 16 September 2024



This Authority hereby permits the use of the above fitting in fresh water plumbing systems subject to full adherence to Waterworks installation requirements. In particular, you are required to draw your customers' attention to the following requirement-

"The cold water supply to the fitting shall be drawn from the same source that supplies the hot water apparatus so as to provide a balanced pressure and to obviate the risk of scalding in the event of a restriction or failure in the water supply."

A condition of this acceptance is that the fitting to be installed shall be replicas of the sample as certified by the testing agent mentioned above and without modifications. This acceptance may be withdrawn at any time if the standard of the fitting installed fails to meet that of the approved sample or if the fitting is found to be unsuitable for use in fresh water plumbing systems.

This acceptance is only applicable to the main body of the fitting, unless otherwise specified.

For the use of the fitting in any project, the General Acceptance Number of this letter must be quoted as a means of identification of acceptance of the fitting by this Authority.

Should you have any enquiries, please contact our Engineer Mr. Terry KUNG at tel. no. 3583 4086.

Yours faithfully,



(CHAN Chung-kun)

for Director of Water Supplies

Encl.

c.c.      WSD 3321/1/82   ] - without catalogue  
            ME/MC           ] - with soft copy only